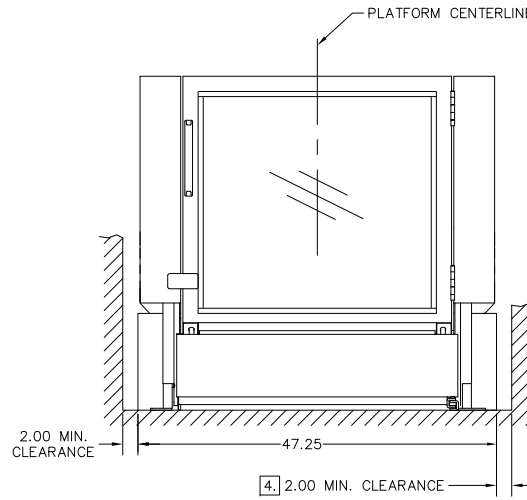


THIS DOCUMENT CONTAINS PROPRIETARY INFORMATION AND EXCEPT WITH WRITTEN PERMISSION BY AGM CONTAINER CONTROLS, INC. SUCH INFORMATION SHALL NOT BE PUBLISHED, DISCLOSED TO OTHERS OR USED FOR ANY PURPOSE AND THE DOCUMENT SHALL NOT BE DUPLICATED IN WHOLE OR IN PART.

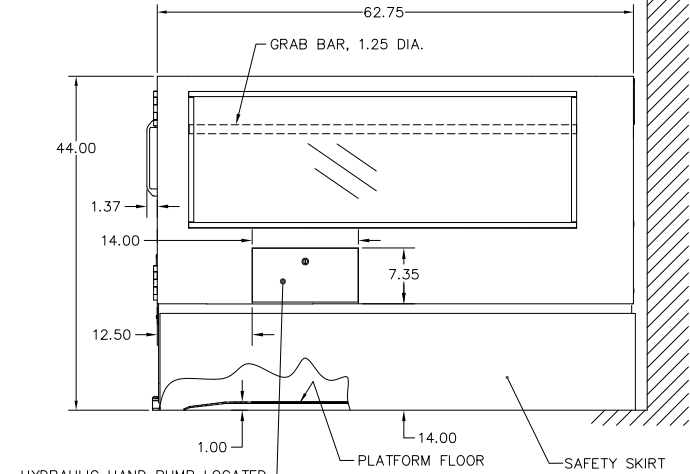
REVISIONS					
ZONE	LTR.	DESCRIPTION	DATE	APPROVED	
---	C	REVISED IAW DCN 07-009-N	JMO 2-26-07	EJZ	
---	D	NO CHANGE TO THIS SHEET	JMO 3-8-07	EJZ	
---	E	CORRECTED DESCRIPTION	JMO 5-10-07	EJZ	
---	F	REVISED IAW DCN 07-035-N	JMO 7-19-07	EJZ	
CB,BB	G	NOTES: PLATFORM WAS LIFT CAR; REMOVED DOCK PLATE	JMO 8-31-07	EJZ	
BB	H	ADDED NOTES 5.2, 5.3. REMOVED EXTERNAL SWITCHES COMBINED SHEETS 1 & 2	JMO 3-19-08	EJZ	
---	J	REVISED NOTES; ADDED VIEW A-A ARROWS; ADDED ULG REF DIMS.	JMO 9-26-08	EJZ	

NOTES UNLESS OTHERWISE SPECIFIED:

1. DESCRIPTION: ASCENSION VIRTUOSO 5460F MODEL SERIES VERTICAL WHEELCHAIR LIFT
2. ELECTRICAL & CONTROLS:
 - 2.1 120 VAC, 60 HZ, SINGLE PHASE, 15 AMP MINIMUM SERVICE LINE.
 - 2.2 (SHEET 2) LIFT CONTROLLER PROVIDED IN 12" HIGH X 10" WIDE X 6.75" DEEP BOX.
 - 2.3 LANDING OPERATING CONTROLS PROVIDED IN 1.88" DEEP SINGLE GANG HANDY BOX FOR REMOTE MOUNTING.
 - 2.4 ALL CONTROL CIRCUITS POWERED BY 12 VDC SOLID STATE LINEAR POWER SUPPLY.
 - 2.5 UNIT INCLUDES LOCKABLE, FUSED DISCONNECT IAW NFPA 70.
3. LIGHTING: STANDARD AND EMERGENCY LIGHTING TO BE PROVIDED BY OTHERS.
4. (SHEETS 1 & 3) INDICATED MINIMUM CLEARANCE (ON RIGHT SIDE ONLY) SHALL BE INCREASED TO 8.00" FOR HAND PUMP ACCESS WHERE STANDBY POWER OR BATTERY BACKUP IS NOT PROVIDED, AND FOR ALL INSTALLATIONS IN CALIFORNIA.
5. (SHEETS 1 & 2) STANDARD GATE HINGING SHOWN; MIRROR GATES AND GATE DIMENSIONS ABOUT PLATFORM CENTERLINE AS NECESSARY FOR OTHER HINGE CONFIGURATIONS.
6. REINFORCED CONCRETE SLAB REQUIRED, 4" THICK, 3500 PSI, FLAT AND LEVEL WITHIN 1/2".
7. ANCHORS TO BE PROVIDED BY INSTALLER.



FRONT END ELEVATION 5.



RIGHT SIDE ELEVATION

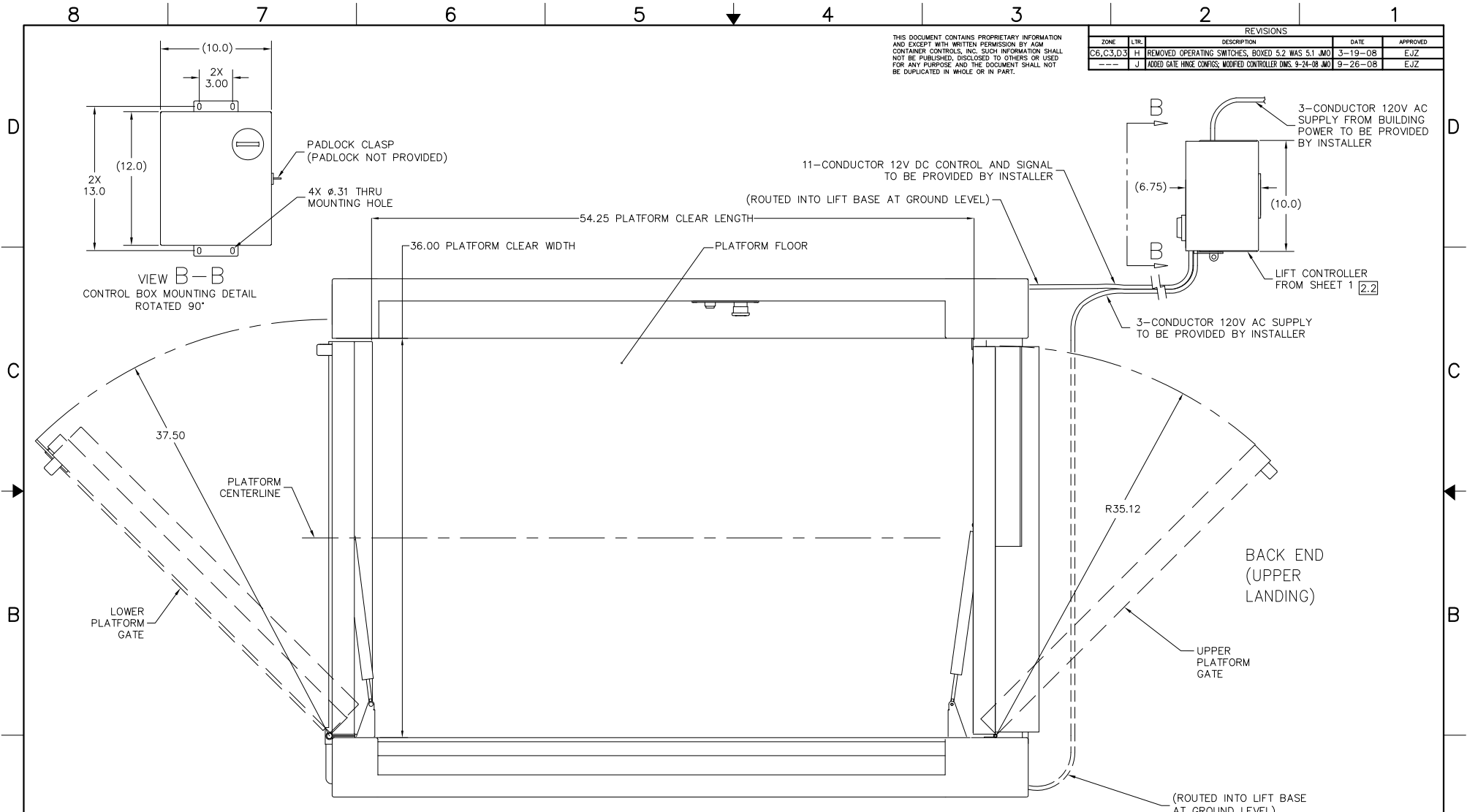
SEE SHEET 3

ASCENSION P/N:

PART DASH NO.		QTY. REQ'D PER ASSY.	NEXT FINAL	NEXT ASSY.	USED ON	SIMILAR TO	ACT. WT. CALC. WT.	INTERPRET DIMENSIONS AND TOLERANCES IAW ANSI Y14.5M-1982 UNLESS OTHERWISE SPECIFIED DIMENSIONS ARE IN INCHES DECIMALS: XX.XX ±.030 ANGLES: 3.0°	CHECKED M. ONTIVEROS DATE 8-31-06 E. ZUERCHER 9-5-06 E. ZUERCHER 9-5-06	AGM CONTAINER CONTROLS, INC. P.O. BOX 40020 - TUCSON, ARIZONA 85717-0020 TITLE VERTICAL WHEELCHAIR LIFT ASSEMBLY SIZE: FSCM NO. 08992 DWG. NO. VIRTUOSO 5460F SCALE: 1/4" = 1'-0" SHEET 1 OF 3
---------------	--	----------------------	------------	------------	---------	------------	--------------------	--	--	--

THIS DOCUMENT CONTAINS PROPRIETARY INFORMATION AND EXCEPT WITH WRITTEN PERMISSION BY AGM CONTAINER CONTROLS, INC. SUCH INFORMATION SHALL NOT BE PUBLISHED, DISCLOSED TO OTHERS OR USED FOR ANY PURPOSE AND THE DOCUMENT SHALL NOT BE DUPLICATED IN WHOLE OR IN PART.

REVISIONS				
ZONE	LTR.	DESCRIPTION	DATE	APPROVED
C6,C3,D3	H	REMOVED OPERATING SWITCHES, BOXED 5.2 WAS 5.1 JMO	3-19-08	EJZ
---	J	ADDED GATE HINGE CONFIGS; MODIFIED CONTROLLER DIMS.	9-24-08 JMO	9-26-08 EJZ



VIEW B-B
CONTROL BOX MOUNTING DETAIL
ROTATED 90°

PLAN VIEW

GATE HINGE CONFIGURATIONS: **5.**

- 1. STANDARD GATE HINGING: ALL GATES AS SHOWN.
- 2. OPPOSITE-HINGED LOWER PLATFORM GATE: MIRROR LOWER PLATFORM GATE ABOUT PLATFORM CENTERLINE.
- 3. OPPOSITE-HINGED UPPER PLATFORM GATE: MIRROR UPPER PLATFORM GATE ABOUT PLATFORM CENTERLINE.
- 4. ALL GATES OPPOSITE HINGED: MIRROR ALL GATES ABOUT PLATFORM CENTERLINE.

SIZE	FSCM NO.	DRG. NO.	REV
D	08992	VIRTUOSO 5460F	J
SCALE 1/4	RELEASE DATE	SHEET 2	

